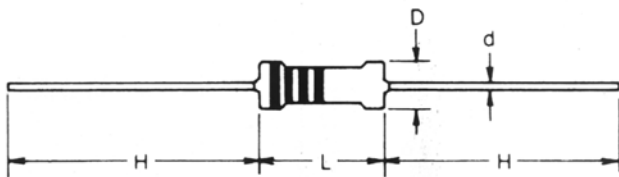


**CARBON FILM FIXED RESISTORS** — **SMALL SIZE TYPE**

Standard = E 24 / Tol. 5% / RoHS conform / Lead ( Pb ) 19.2 ppm / kg

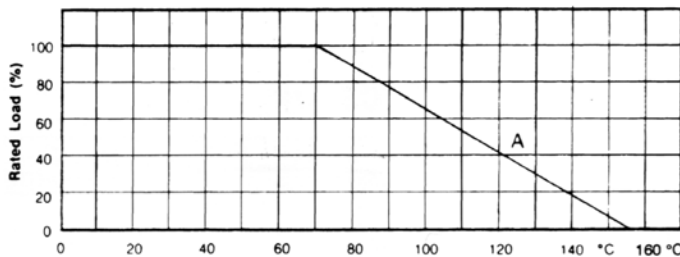
Specifications Power Rating		Dimension ( mm )				Working Voltage	Overload Voltage		Withstanding Voltage		Tape Box
At 70°C	Type	D ± 0,5	L ± 1	d ± 0,05	H ± 3	max. Vac	max. Vdc	max. Vac	Vac	Ω	pcs.
0,25 W	CFR 025 J	2,0	3,5	0,45	28	250	360	500	150	1 – 10 M	2 000
0,50 W	CFR 050 J	2,3	6,0	0,56	28	350	500	700	250	1 – 10 M	1 000
1,00 W	CFR 100 J	3,0	9,0	0,65	28	500	720	1 000	350	1 – 10 M	1 000
2,00 W	CFR 200 J	4,5	11	0,8	35	500	720	1 000	350	1 – 10 M	500
	ZR16	1,7 ±0,2	3,5 ±0,3	0,45	28				500	0,005	
	2R25	2,3 ±0,2	6,3 ±0,5	0,56	27				500	0,005	



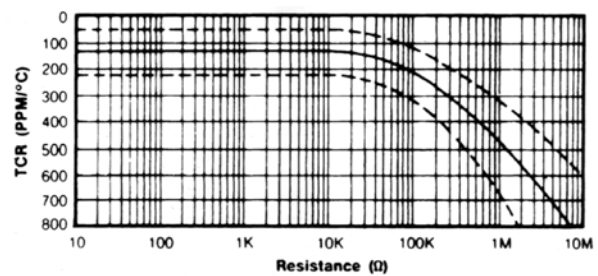
Bodycolour: Beige  
 Körperfarbe  
 Couleurs  
 Colori



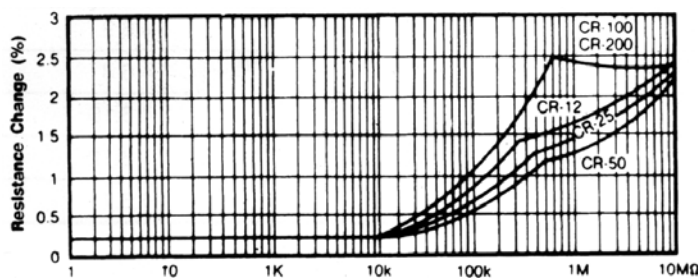
**DERATING CURVE**



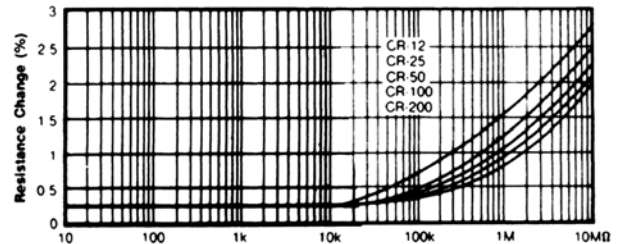
**TEMPERATURE COEFFICIENT**



**LOAD LIFE**

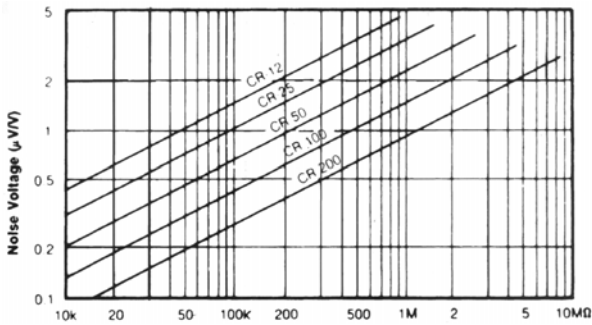


**MOISTURE RESISTANCE**

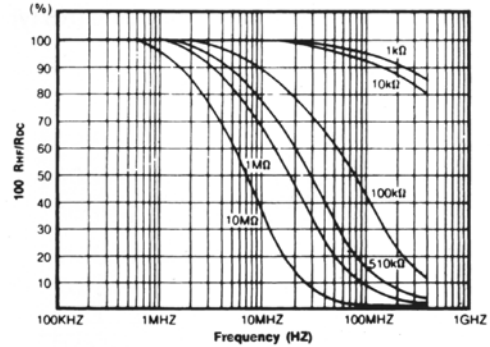


# CARBON FILM FIXED RESISTORS

## CURRENT NOISE

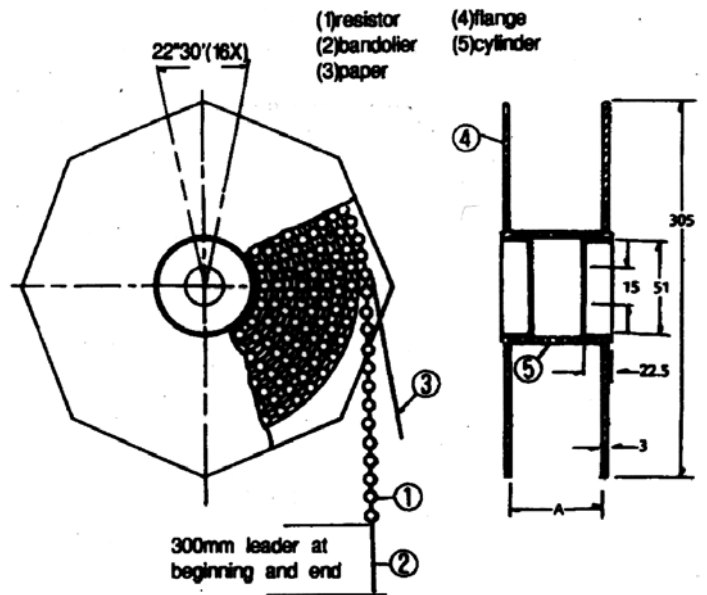
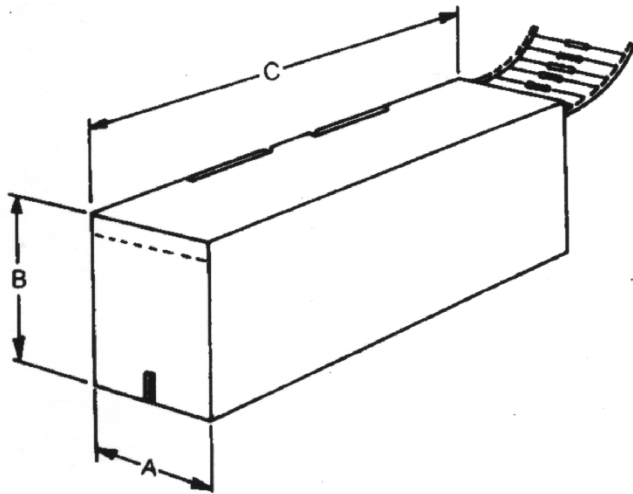


## HIGH FREQUENCY CHARACTERS



## PERFORMANCE CHARACTERISTICS

Performance Test	Test Method ( MIL.. )	Specification
Short time Overload	4. 6. 5	$\pm ( 1\% + 0,05 \Omega )$
Resistance to Solvents	MIL - STD 202 E - 215	
Moisture Resistance	4. 6. 10	100k $\pm$ 5%
Temperature Cycling	4. 6. 3	$\pm ( 0,5\% + 0,05 \Omega )$
Loadlife	4. 6. 12	100K $\pm$ 3%
Operating Temp - Range	MIL - R - 22 684 b	- 55 °C ~ 155 °C



## TAPE ON BOX PACKING

TYPE ( T / B )	A $\pm$ 3	B $\pm$ 5	C $\pm$ 5	Quantity	TYPE ( T / R )	A	Quantity
CFR 025 J	78	25	260	1 000	CFR 025 J	78 $\pm$ 3	5 000
CFR 050 J	78	25	260	1 000	CFR 050 J	78 $\pm$ 3	5 000
CFR 100 J	78	45	260	1 000	CFR 100 J	103 $\pm$ 3	2 500
CFR 200 J	103	80	260	1 000	CFR 200 J	103 $\pm$ 3	2 000

## TAPE ON REEL PACKING